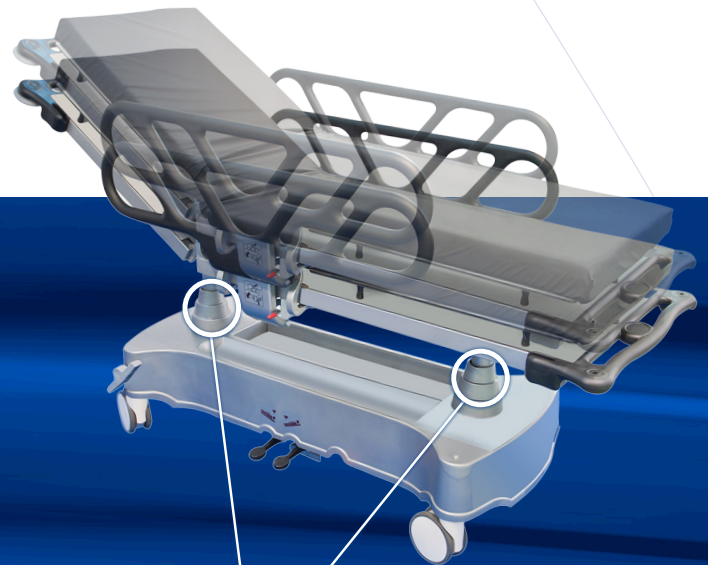




**POWER-PACKER®**



Power-Packer Europa B.V. is your experienced partner when it comes to motion control systems for medical applications. We are an OEM supplier to leading manufacturers of hospital beds, physiotherapy tables, patient trolleys, treatment tables, shower chairs, operating tables and scanner tables. Power-Packer offers a complete range of manual-hydraulic and electro-hydraulic actuators for all your applications involving precise motion in clean environments. For more than 30 years our hydraulic systems have proven their quality in the medical industry. Power-Packer's broad knowhow and continuous search for innovation in motion control systems guarantees you to PROGRESS IN MOTION!



**CENTROMOTION™**

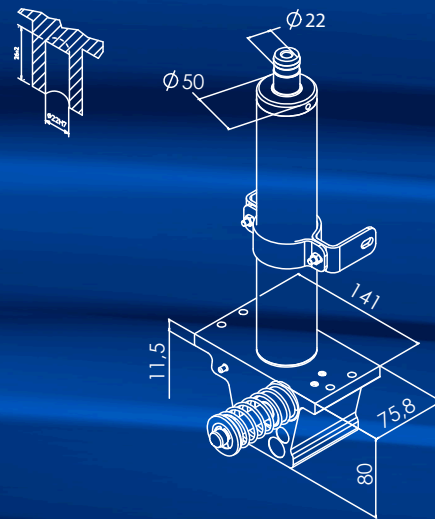




## Main parameters of value:

- Reduced total cost of ownership
- Proven high quality, product built for long life
- Maintenance-free
- Quiet operation
- Ease of installation
- Enhanced performance and operating comfort
  - Pressure relief valve during pumping
  - Fast descent time
  - Descent regulated by a flow control valve
  - Robust integrated guidance

- The Stretcher Actuator is a reliable self-contained hydraulic actuator for use in stretchers and patient trolleys. The pump, cylinder, guidance, valves and reservoir are combined into one compact, maintenance-free unit.
- The Stretcher Actuator with its integrated guidance can handle high side loads. Therefore, no additional actuation or support mechanism is needed in the design of the stretcher and patient trolley. This results in lower manufacturing costs. The Stretcher Actuator is easy to install and is built for long life.



## SPECIFICATIONS

Stroke lengths:	280 mm	330 mm
Closed length between mounting points:	299 mm	349 mm
Maximum dynamic push force:	4.5 kN	4.5 kN
Maximum static load:	8 kN	8 kN
Maximum pump strokes till extended length:	17	20
Maximum static torque on plunger:	290 Nm	290 Nm
Descent time:	3-7 sec	4-8 sec
Single acting cylinder		

**POWER-PACKER**

**Power-Packer Europa B.V.**

Edisonstraat 2  
 7575 AT Oldenzaal - The Netherlands  
 P.O. Box 327  
 7570 AH Oldenzaal - The Netherlands  
 T: +31 541 584 500  
 F: +31 541 584 693  
 E: sales@power-packer.nl  
 I: www.power-packer.com

