

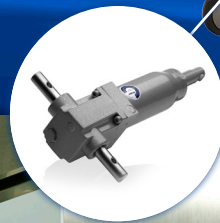


POWER-PACKER®

Power-Packer Europa B.V. is your experienced partner when it comes to motion control systems for medical applications. We are an OEM supplier to leading manufacturers of hospital beds, physiotherapy tables, patient trolleys, treatment tables, shower chairs, operating tables and scanner tables. Power-Packer offers a complete range of manual-hydraulic and electro-hydraulic actuators for all your applications involving precise motion in clean environments. For more than 30 years our hydraulic systems have proven their quality in the medical industry. Power-Packer's broad knowhow and continuous search for innovation in motion control systems guarantees you to PROGRESS IN MOTION!



CENTROMOTION™

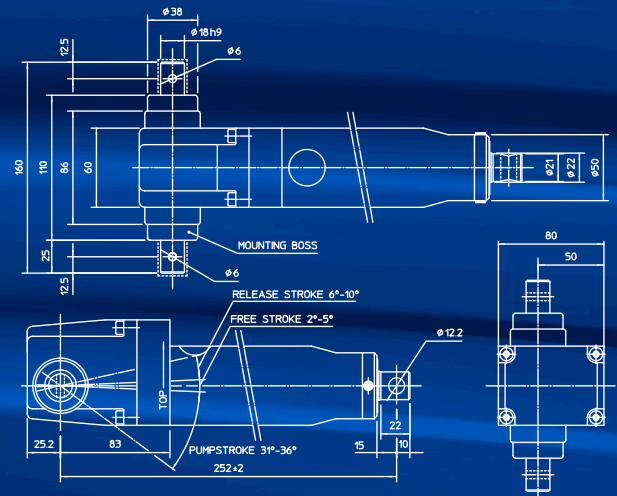




Main parameters of value:

- Reduced total cost of ownership
- Proven high quality, product built for long life
- Compact self contained design
- Quiet and smooth operation
- Maintenance-free
- Ease of installation
- Manual override, hand release option
- "Autoclave" proof
- Operating comfort

- The MK5 is a reliable self-contained hydraulic actuator, of which more than a million have already been built. The pump, cylinder, valves and reservoir are combined into one, compact, maintenance-free unit.
- Every MK5 comes with a pressure relief valve and a flow control valve to ensure smooth descent. The MK5 is easy to install and is built for long life.



SPECIFICATIONS

Stroke lengths: multiple possibilities between 80 and 400 mm

Maximum dynamic push force: 10 kN at 270 bar

Descent control: flow control valve

Pressure relief valve: installed

Single acting cylinder

Optional: holes on the pedal shaft, mounting brackets, suction tube, different actuator colors, TÜV certified



POWER-PACKER

Power-Packer Europa B.V.

Edisonstraat 2

7575 AT Oldenzaal - The Netherlands

P.O. Box 327

7570 AH Oldenzaal - The Netherlands

T: +31 541 584 500

F: +31 541 584 693

E: sales@power-packer.nl

I: www.power-packer.com