



POWER-PACKER®

Power-Packer Europa B.V. is your experienced partner when it comes to motion control systems for agriculture, mobile equipment and precision farming. Power-Packer offers a complete range of electro-hydraulic actuators for all your applications involving adjustment, positioning and control. Our systems are the product of continuous investigation into customer applications and technologies. Power-Packer's broad knowhow and continuous search for innovation in motion control systems guarantees you **PROGRESS IN MOTION!**

AN
Actuant
COMPANY





Benefits

- Ensures adaptability to changing soil conditions
- Enables high quality planting at high speed
 - quick and accurate hydraulic adjustment
 - integrated dampening of the row-unit
- Set planting depth from the cabin
- Reduced fuel-consumption
- Robust, integrated sensors that allow:
 - auto-adaptation to changing soil conditions
 - gathering of data for agronomics
- Architecture allows easy integration

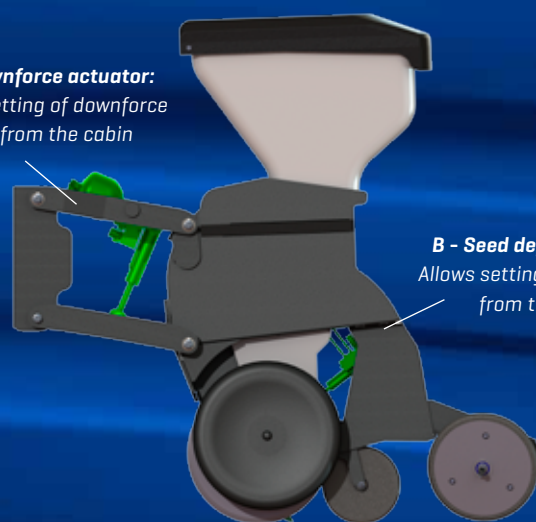
The adaptive planter downforce ensures high productivity through stable seed placement and uniform seed bed quality.

The system is a combination of two functions:

- The downforce actuator allows you to set and adjust downforce from the cabin
- The seed depth actuator allows you to set and adjust seed depth from the cabin

The integrated downforce sensor allows closed loop control. Adaptive planter downforce units can be either hydraulic or electro-hydraulic as a row by row system.

A - Downforce actuator:
Allows setting of downforce level from the cabin



B - Seed depth actuator:
Allows setting of seed depth from the cabin

SPECIFICATIONS

Flexibility to adapt to customer application needs

Accurate downforce setting

Robust sensor-integration to gather data and real-time adaptation to local soil conditions

Integrated overload protection to assure long lifetime

Miniature hydraulics to save weight

Combination of aluminum and spray-painted steel components

Robust IP67 components

↑↓ applied down force in the parallel linkage
↑ measured ground contact force



POWER-PACKER®

Power-Packer Europa B.V.

Edisonstraat 2

7575 AT Oldenzaal - The Netherlands

P.O. Box 327

7570 AH Oldenzaal - The Netherlands

T: +31 541 584 500

F: +31 541 584 693

E: sales@power-packer.nl

I: www.power-packer.com